

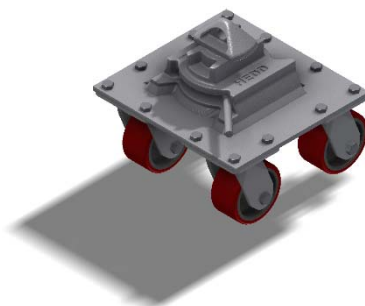
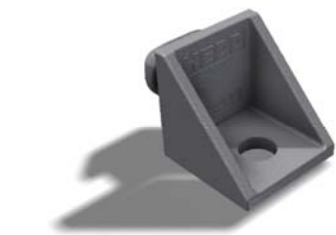
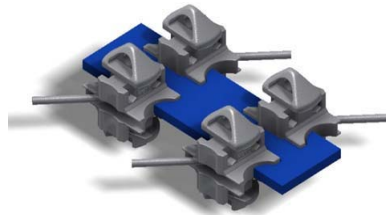
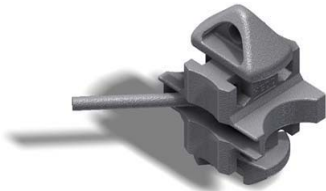
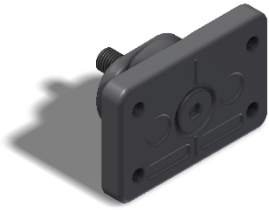
Date: July 2024

Shipping Container Connections

Parts Catalogue



Vertical Container Connections	4
Horizontal Container Connections	5
Structural Connections.....	7
Boltable Connections	8
Container Footing Connections.....	9
Container Corners	10
Container Security.....	10
Container Spacing	10
Container Transport Connections	11
Container lifting	12
Horizontal Container Movement	13
Where are we:.....	14
Contact us:	14



Vertical Container Connections



Double Ended Twist Lock

Double Twist Locks are used to connect two containers together vertically.

Part Number: CHDTL



Semi-Automatic Twist Lock

Semi-automatic Twist Locks can be pre-loaded and will shut automatically when a container is placed on them. These twist locks are also rated and marked for a 10T lifting capacity.

Part Number: CHSATL



Fully Automatic Twist Lock

Fully Automatic Twist Locks have a fully automatic locking / unlocking function when loading and unloading containers.

Part Number: CHFATL



Transverse Double Ended Twist Lock

The transverse double ended twist lock allows the stacking of containers at 90° to each other.

Part Number: CH90DTL



Horizontal Twist Lock

Horizontal twist locks are used to connect containers together horizontally.

Part Number: CHHTL



Interconnectors

Interconnectors are used to connect containers together horizontally when a higher load capability is required

Part Number: CHINTB, CHINTT



Twist Lock 2 Way Joiner

Twist lock 2 Way joiners are used to connect two double stacked containers together horizontally where you may not be able to get a Bridge Clamp in place. They are used in conjunction with the CHDTL.

Part Number: CHTL2WJ



Twist Lock 4 Way Joiner

Twist lock 4 Way joiners are used to connect four double stacked containers together horizontally where you cannot get a Bridge Clamp in place. They are used in conjunction with the CHDTL.

Part Number: CHTL4WJ

Structural Container Connections



Weldable Twist Lock

Can be welded to any structure to allow shipping container connection.

Part Number: CHWTL



Transverse Weldable Twist Lock

Has the locking head 90 degrees compared to the standard Weldable Twist Lock.

Part Number: CHTWTL



Boltable Twist Lock

Can be bolted to any structure to allow shipping container connection.

Part Number: CHBTL



Raised Foundation

Can be welded to any structure to allow shipping container connection through a double ended twist lock (CHDTL).

Part Number: CHRF

Boltable Container Connections



Corner Bolt Plates

Allows you to connect anything directly to a shipping container.

Part Number: CHCBP



Side Twist Lock

Allows your shipping container to be bolted to a slab or footing without the need to move the shipping container first.

Part Number: CHSTL



Boltable Twist Lock

Can be bolted to any structure to allow shipping container connection.

Part Number: CHBTL

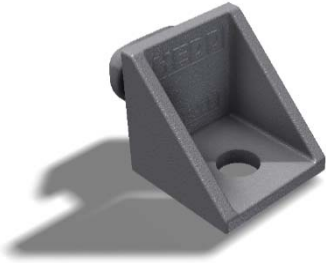


Pipe Connectors

Allows pipe mounted equipment such as CCTV cameras, Wi-fi extenders and aerials to be installed on a shipping container.

Part Number: CHBPPC

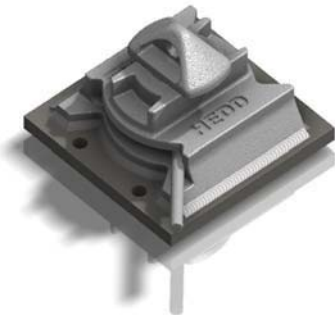
Container Footing Connections



Side Twist Lock

Allows your container to be bolted to a slab or footing without the need to move the container.

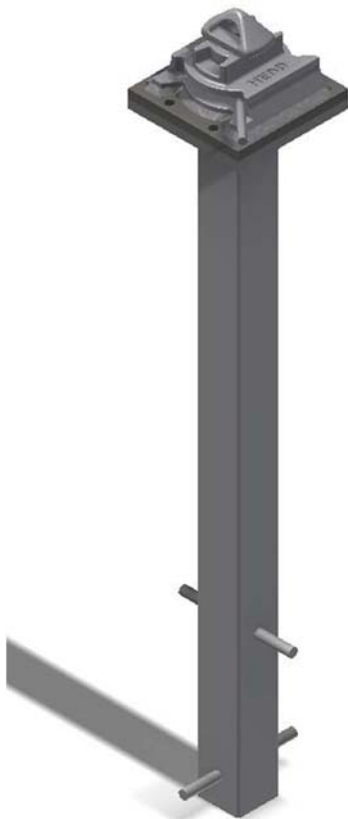
Part Number: CHSTL



Boltable Twist Lock

Allows your container to be bolted to footing either using embedments or retrofitted anchor bolts.

Part Number: CHBTL

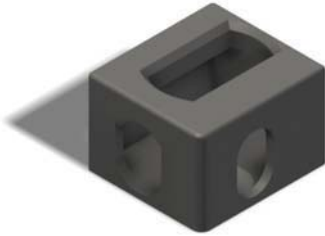


Twist Lock Footing Posts

A cast in post allowing a shipping container to be connected to a concrete footing at a specified height above the ground.

Part Number: CHBTL + CHFP2

Container Corners



Corner Casting

Corner Castings are the generic items used to allow connection of shipping containers to other objects.

Part Numbers:

CHCCTL, CHCCTR, CHCCBL, CHCCBR

Container Security



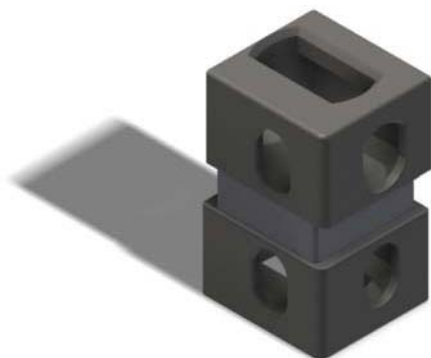
Total Container Lock

This lock is the ultimate level of security for your shipping container, it stops anyone from stealing your container even if they have a crane, side loader or hyab. The security of your container is assured once these units are installed.



Part Number: CHTLL

Container Spacing



Container Spacer

Allows you to safely create a space between your containers vertically.

Part Number: CHCS1

Container Transport Connections



Truck Twist Lock—Short Handle

Designed to be installed in a truck or trailer bed to allow connection of shipping containers.

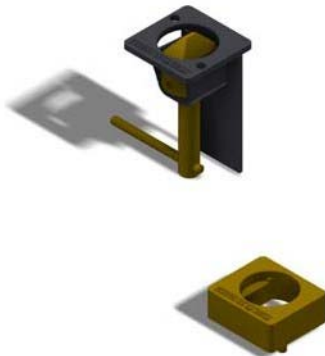
Part Number: CHTTL-SH



Truck Twist Lock—Long Handle

Designed to be installed in a truck or trailer bed with higher than normal side rails or strap rails.

Part Number: CHTTL-LH



Truck Twist Lock—Long Pin

Designed to be installed in a truck or trailer bed with raised side rails.

Part Number: CHTTL-LP



Truck Twist Lock—Tilt Tray

Designed to be installed in tilt tray truck beds where the twist lock needs to be lowered while the container is still on the truck.

Part Number: CHTTL-TT



Truck Twist Lock—Tighten

This German style type of truck twist lock is able to be tightened so eliminating any movement between the shipping container and trailer.

Part Number: CHTTL-G

Container lifting



Lifting D-Rings

Load rated for lifting purposes. Allows you to top lift using the container corner castings.

Part Number: CHCCD

Tandem Container Lifting



Double Stacked Lifting Twist Lock

Load rated for lifting purposes. Allows you to top lift double stacked empty containers.

Part Number: CHSATL



End to End Lifting Interconnector

Load rated for lifting purposes. Allows you to lift horizontally joined containers.

Part Number: CHINTT, CHINTB

Horizontal Container Movement



Container Corner Trolley

Allows you to easily move a container on flat surfaces. Connects directly to the bottom corners of your container. Each has a 1 tonne WLL so giving a combined 4 tonne WLL when using one in each corner.

Part Number: CHTR1T



3 Tonne Container Castor Wheel

Allows you to easily move a container on flat surfaces. Connects directly to the bottom corners of your container. Each has a 3 tonne WLL so giving a combined 12 tonne WLL when using one in each corner.

Part Number: CHC1-3T



5 Tonne Container Castor Wheel

Allows you to easily move a container on flat surfaces. Connects directly to the bottom corners of your container. Each has a 5 tonne WLL so giving a combined 20 tonne WLL when using one in each corner.

Part Number: CHC1-5T

To Order Call: 0402 566 834 or e-mail
sales@twistlocks.com.au

Who are we:

We are the largest specialized supplier of shipping container connection devices to the Australian and New Zealand market.

Where are we:

We have four outlets being Sydney, Adelaide, Perth and Auckland but can (and regularly do) deliver anywhere in the world.



Contact us:

We are contactable via phone or e-mail, if we don't know the answer our engineering team will.

Sydney Office

147 Prince Edward Park Rd
Woronora NSW 2232
Tel: 0402 566 834
Fax: 02 9542 6072
Email: sales@twistlocks.com.au

Perth Office

93 Orange Valley Road
Kalamunda WA 6076
Tel: 0408 882 156
Email: perth@twistlocks.com.au

Adelaide Office

Tel: 0425 276 837
Email: adelaide@twistlocks.com.au

New Zealand Office

11 Tarndale Grove
Albany, Auckland 0632
Tel: 021 36 36 10
Email: sales@twistlocks.co.nz



Bulk Buys



We offer discounts when buying in bulk direct from our factory, ask for a quote today.



**Hardie Engineering Design and Development
T/A Container Twistlocks**

PO Box 1259,
Sutherland NSW 1499
ABN 97 218 060 468

Phone: (02) 9542 6072 Mobile: 0402 566 834
E-mail: sales@twistlocks.com.au

Note; although we make every attempt otherwise photos and images in this brochure may vary slightly from actual product provided