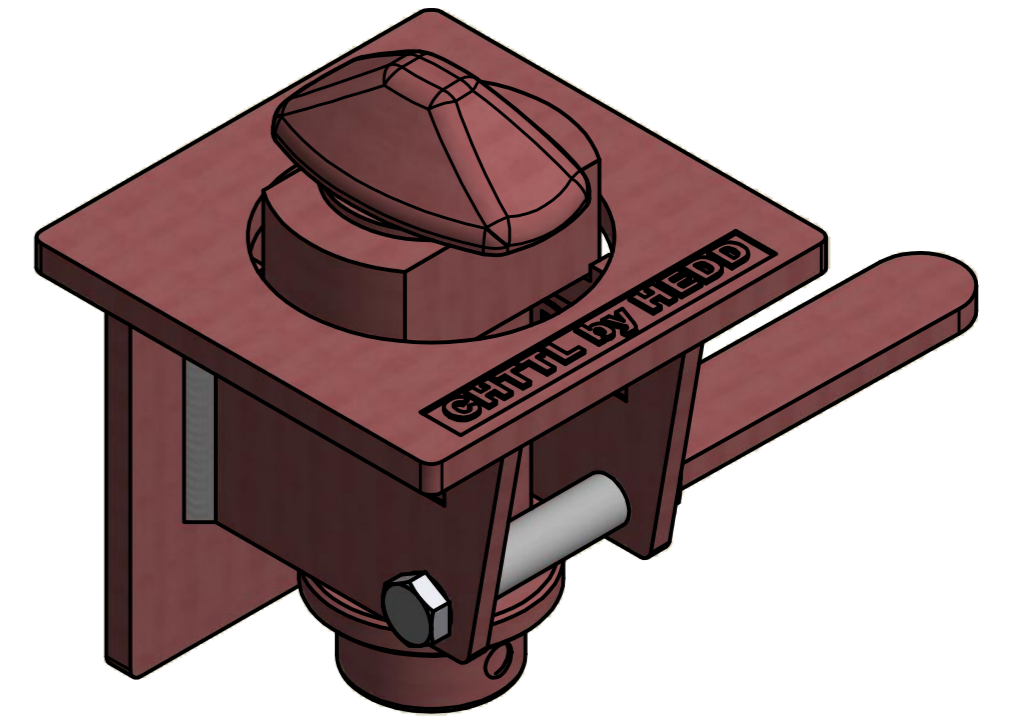
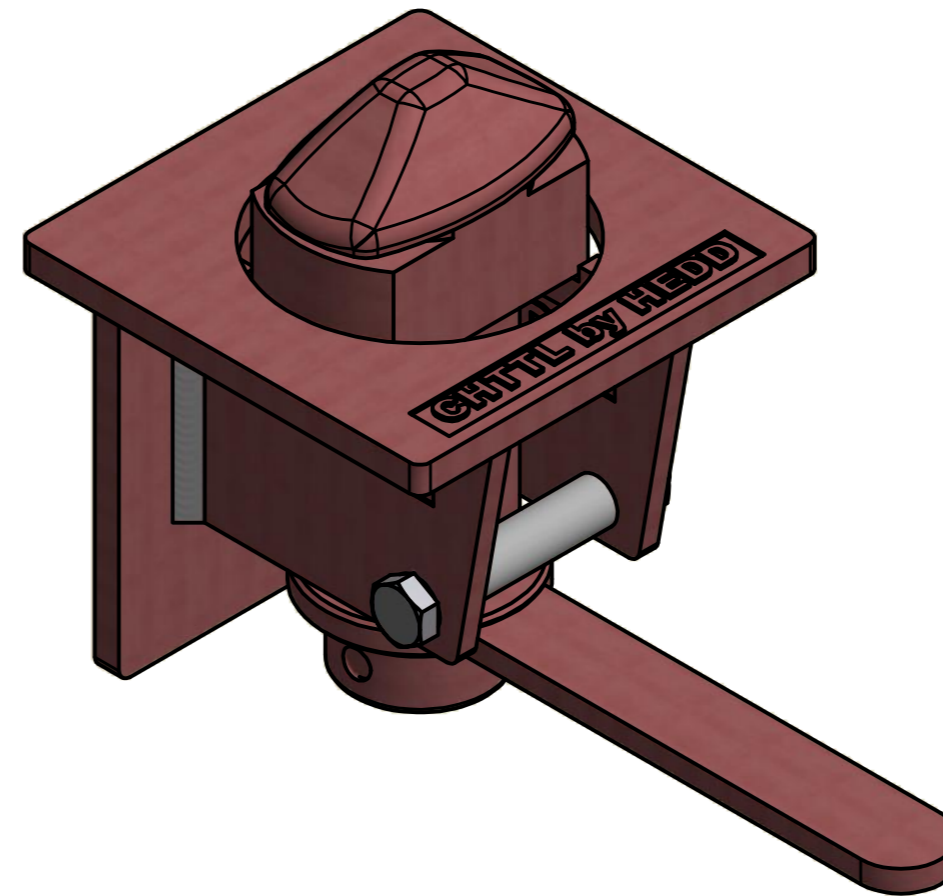


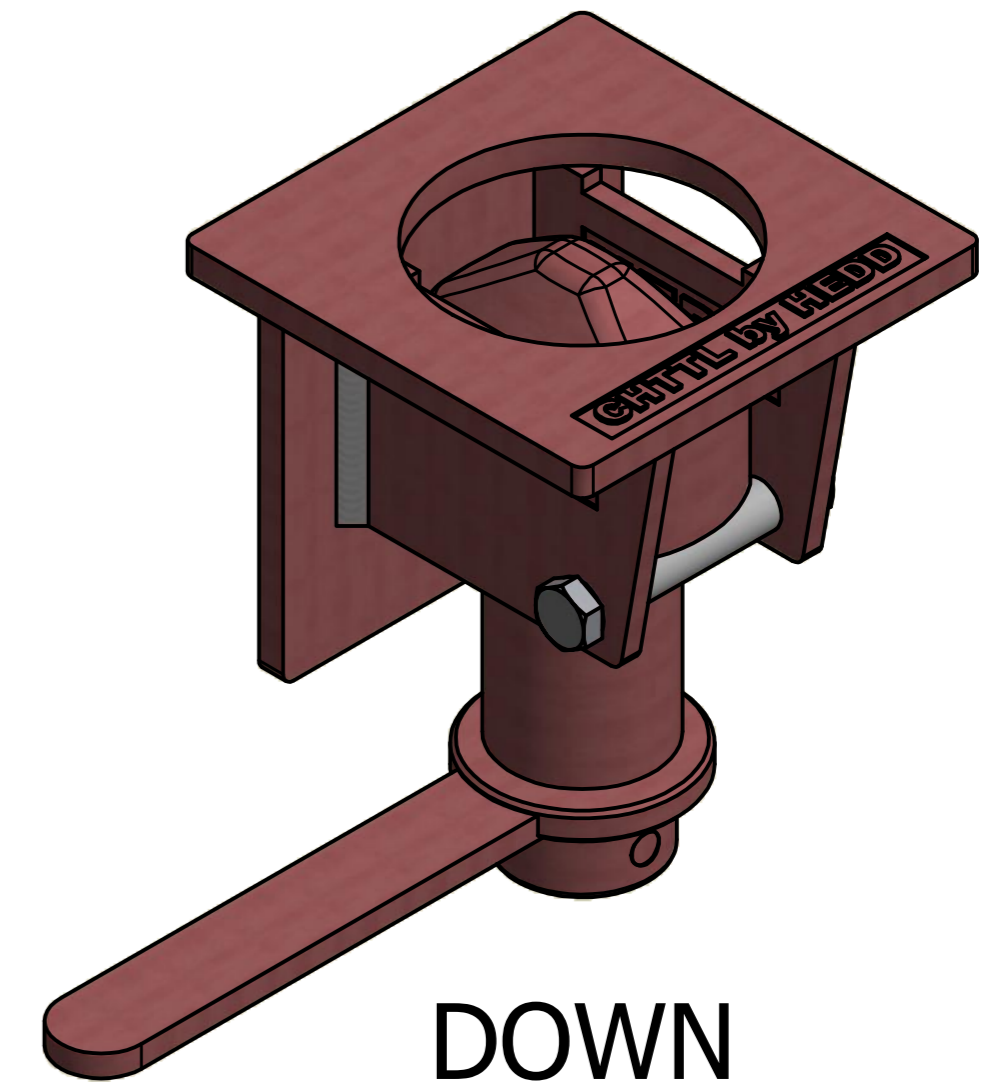
TRUCK AND TRAILER TWIST LOCK



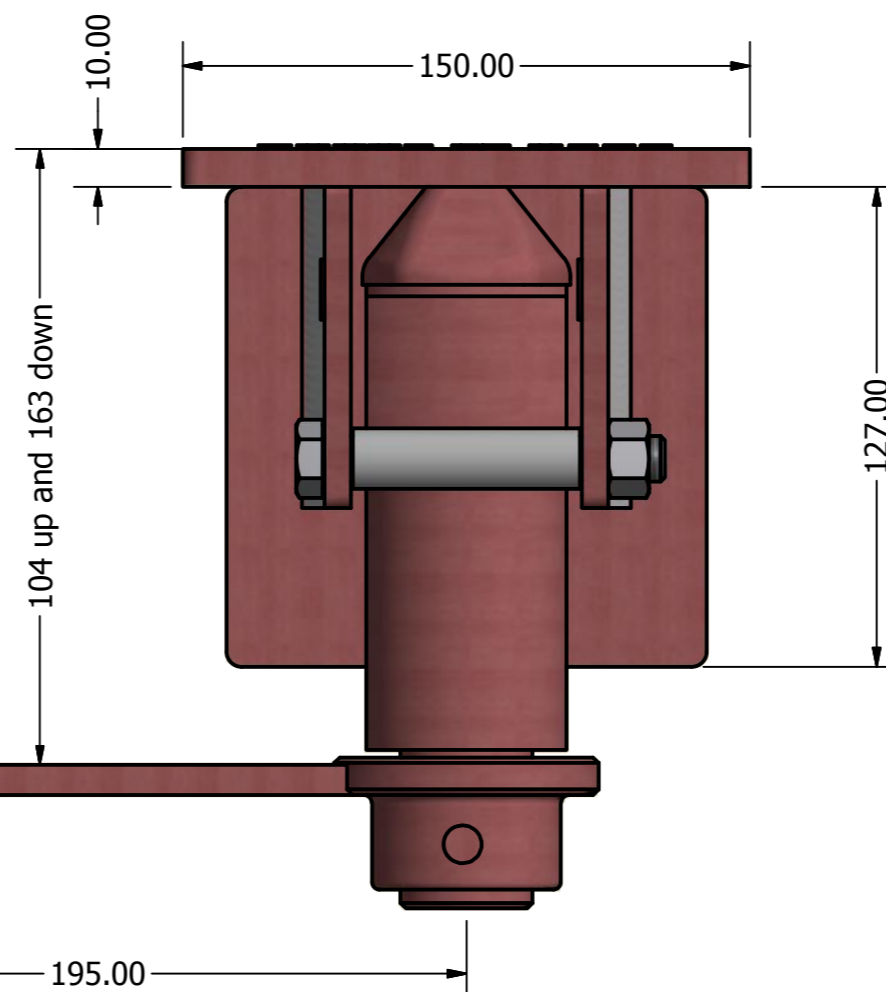
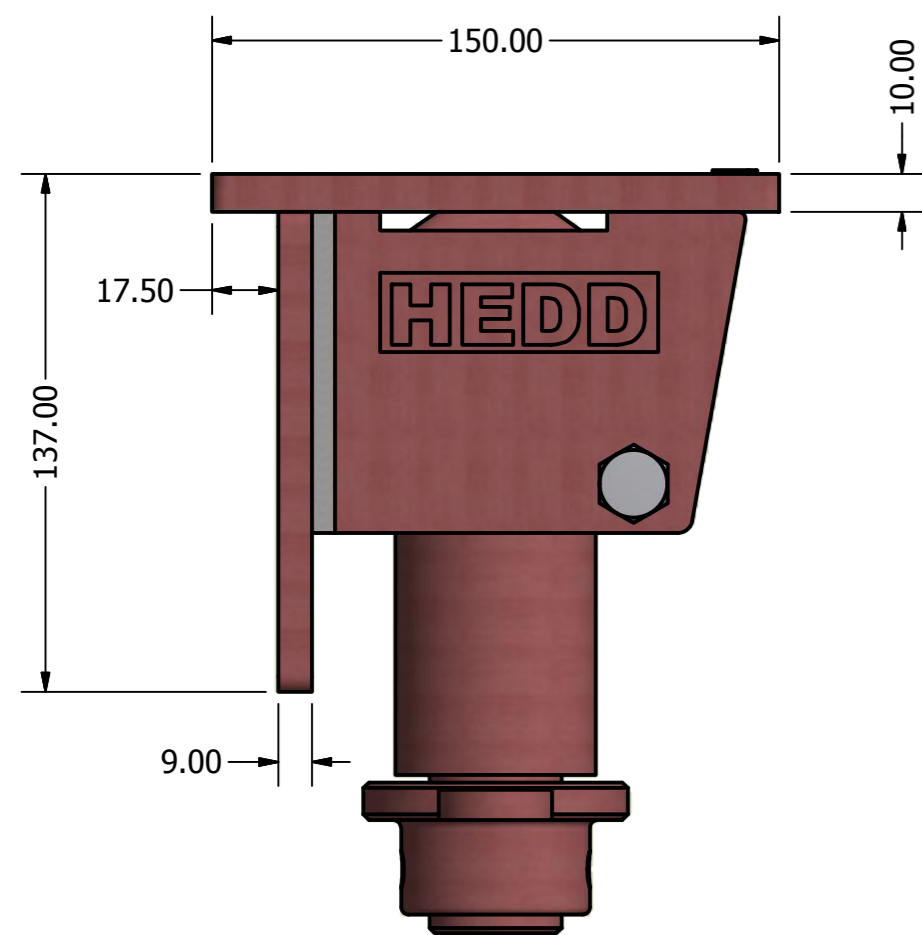
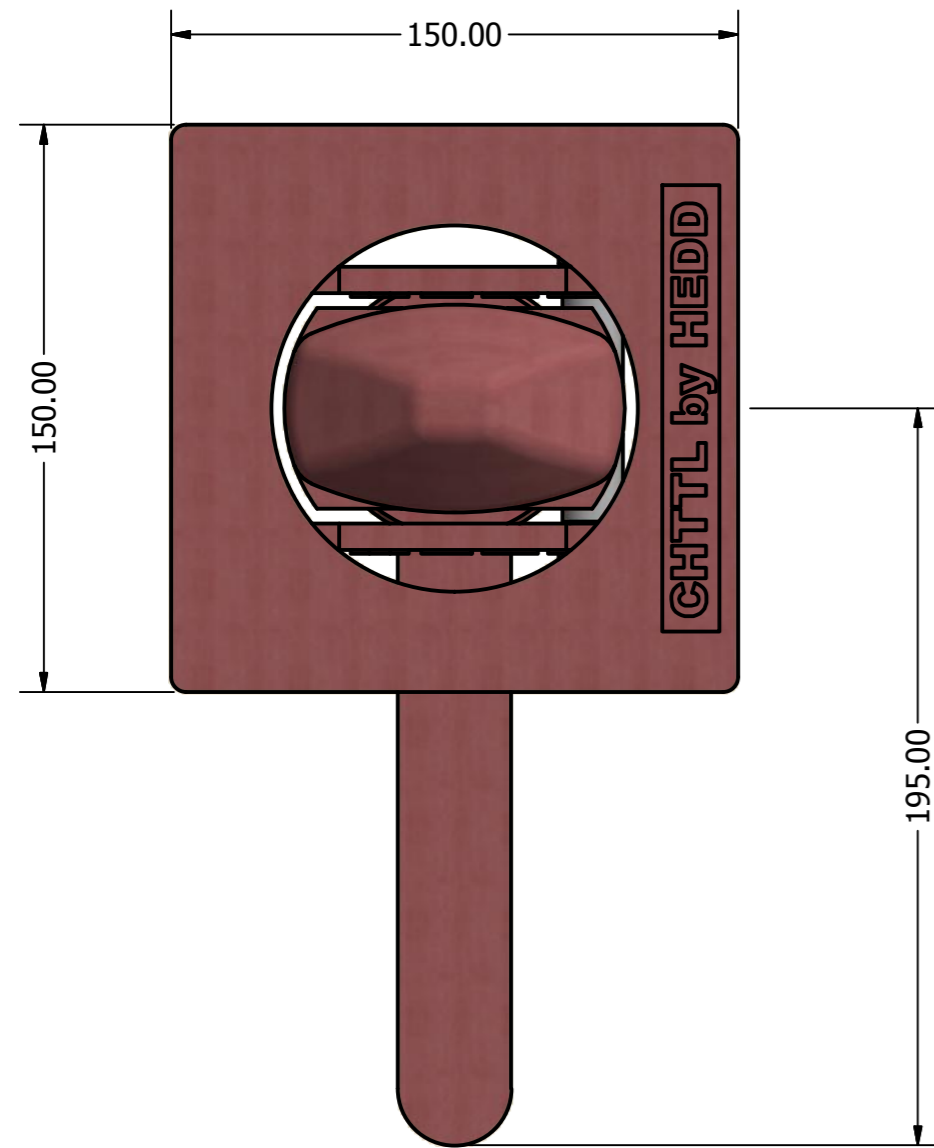
UP AND CLOSED



UP AND OPEN



DOWN



Australia: sales@containerhoardings.com.au
 South Africa: sales@twistlocks.co.za

DRAWN	4/12/2012	CONTAINER HOARDINGS		
User		TITLE		
CHECKED		TRUCK AND TRAILER TWIST LOCK		
QA		SIZE	DWG NO	REV
MFG		A2	Part Number - CHTTL	01
APPROVED		SCALE	SHEET 1 OF 1	