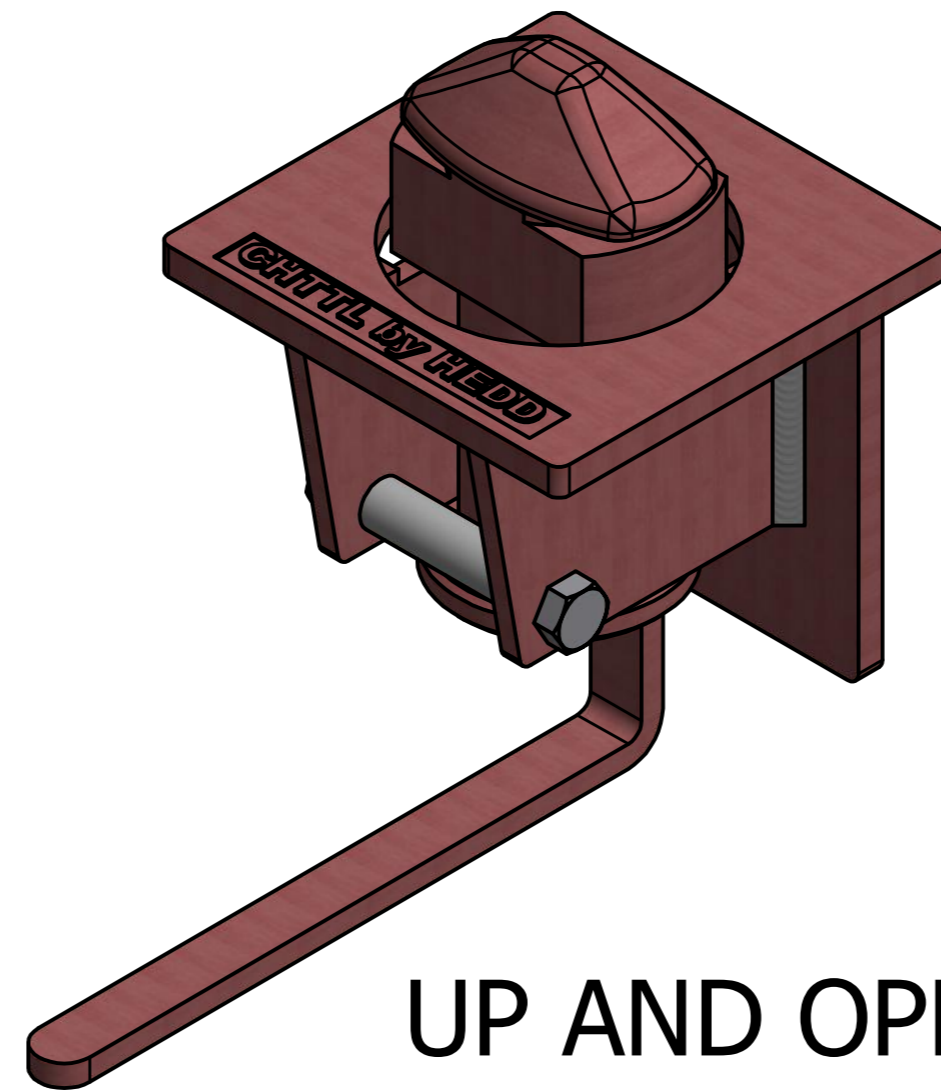
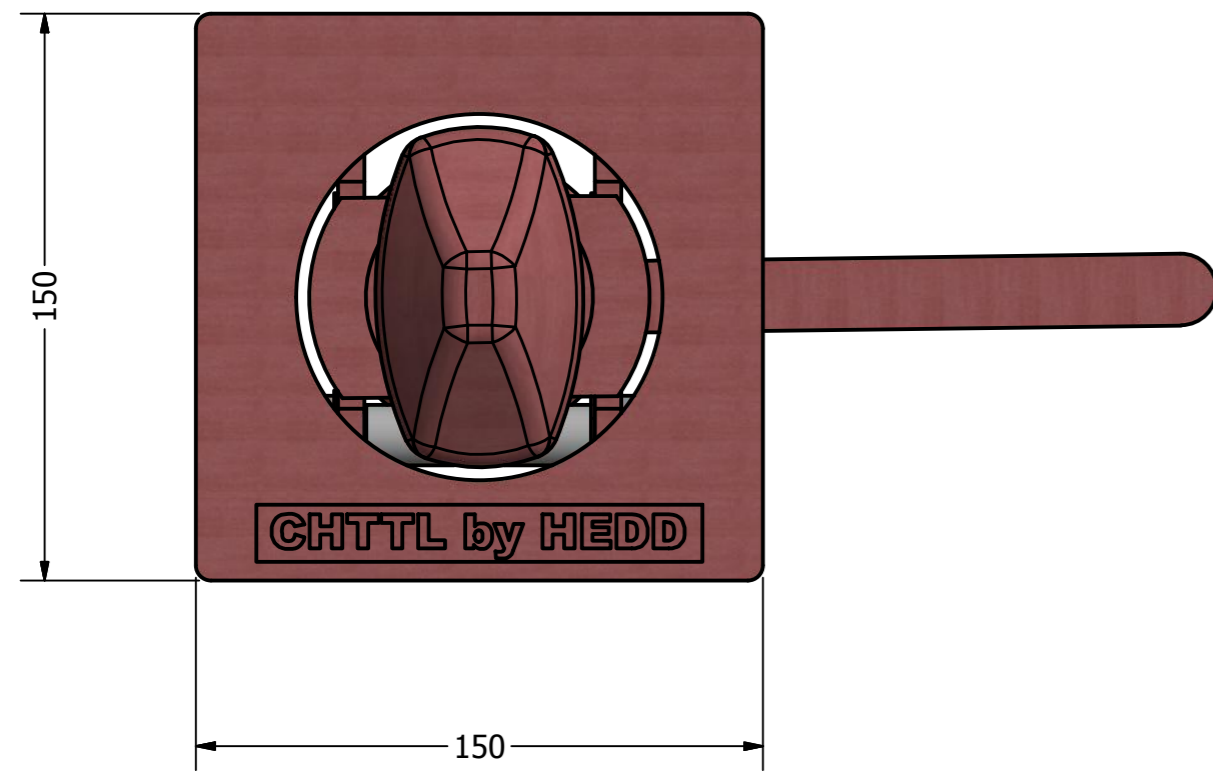
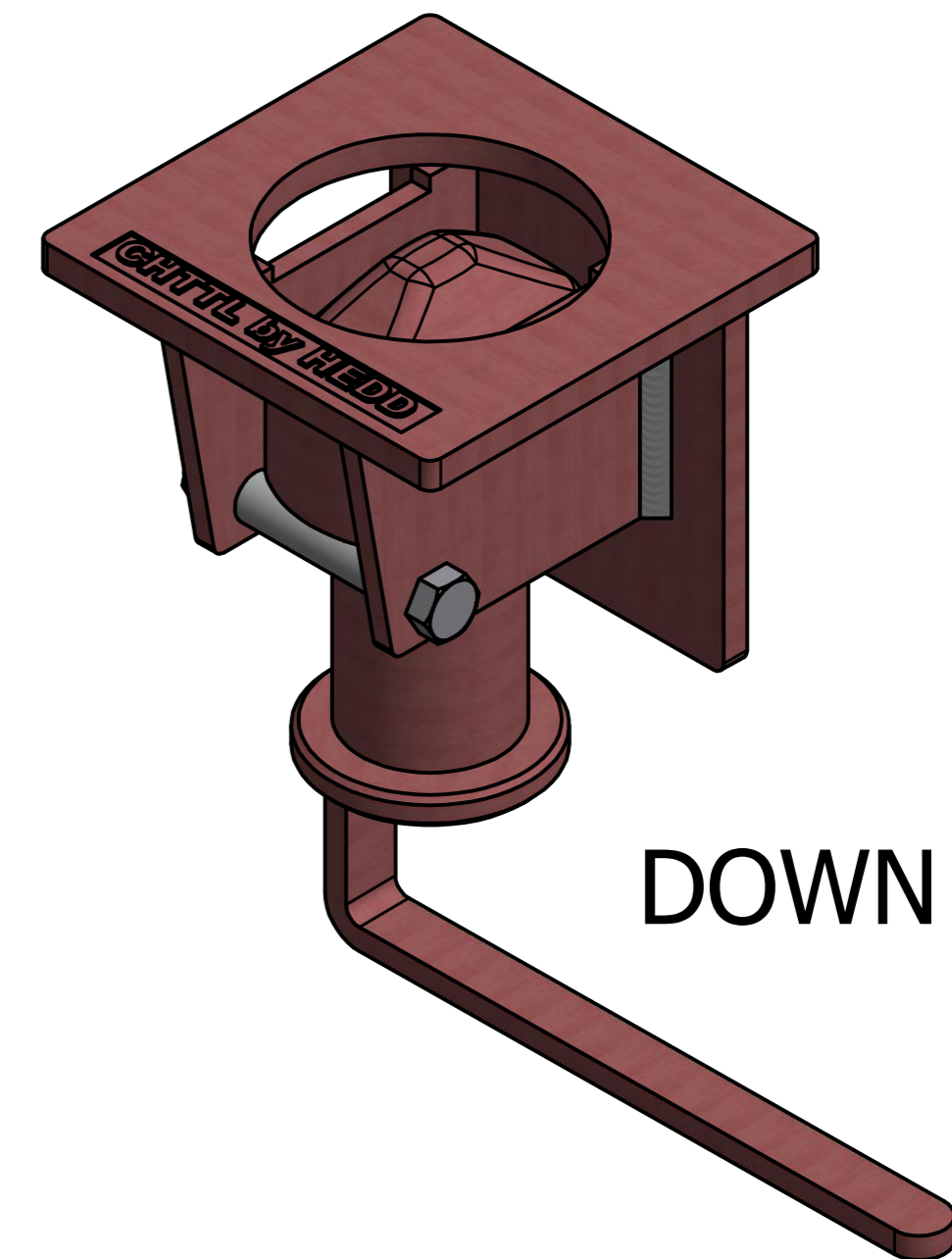
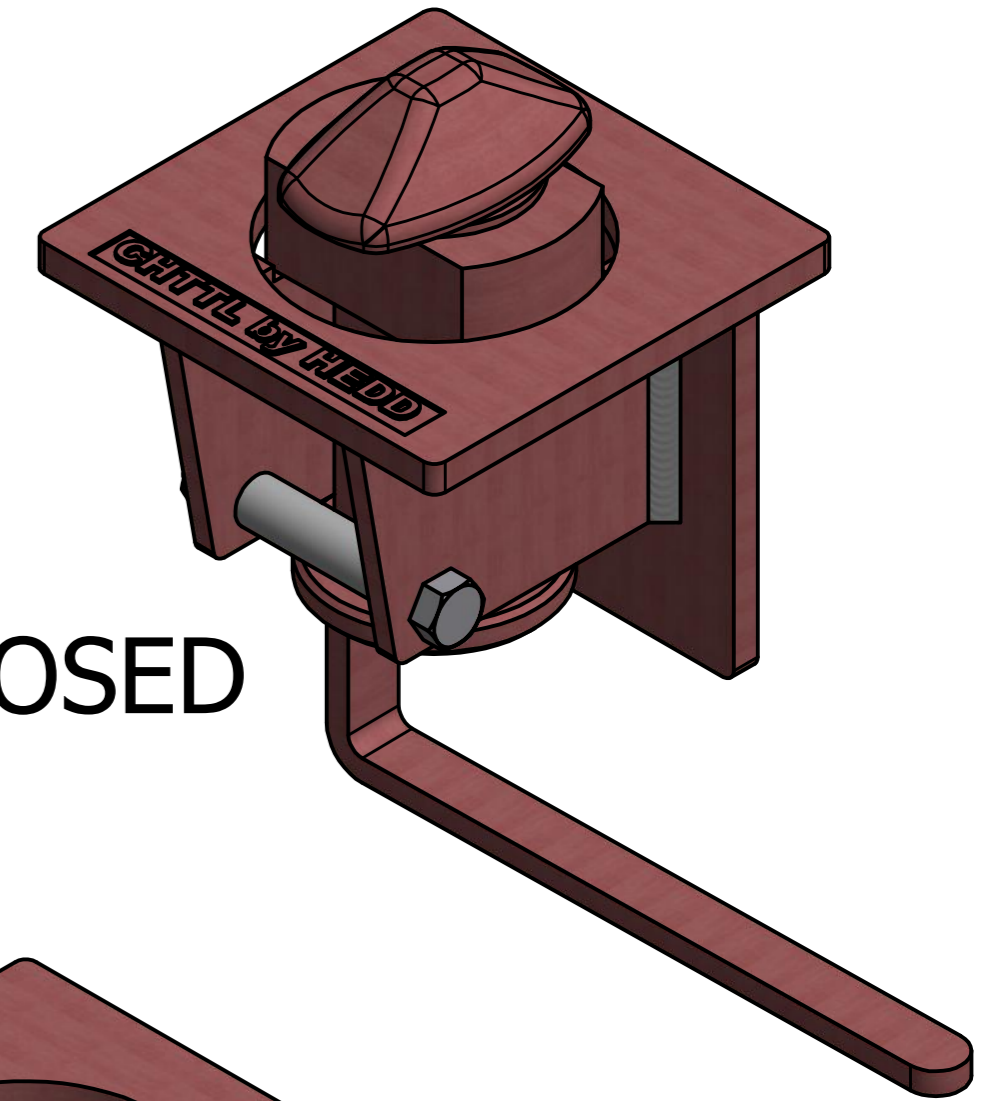


## LONG HANDLE TRUCK AND TRAILER TWIST LOCK

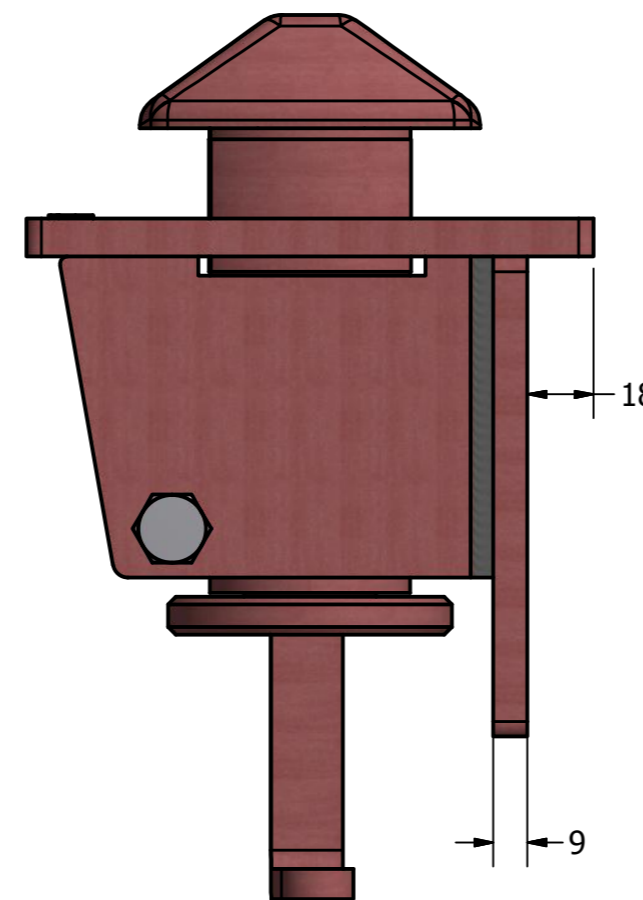
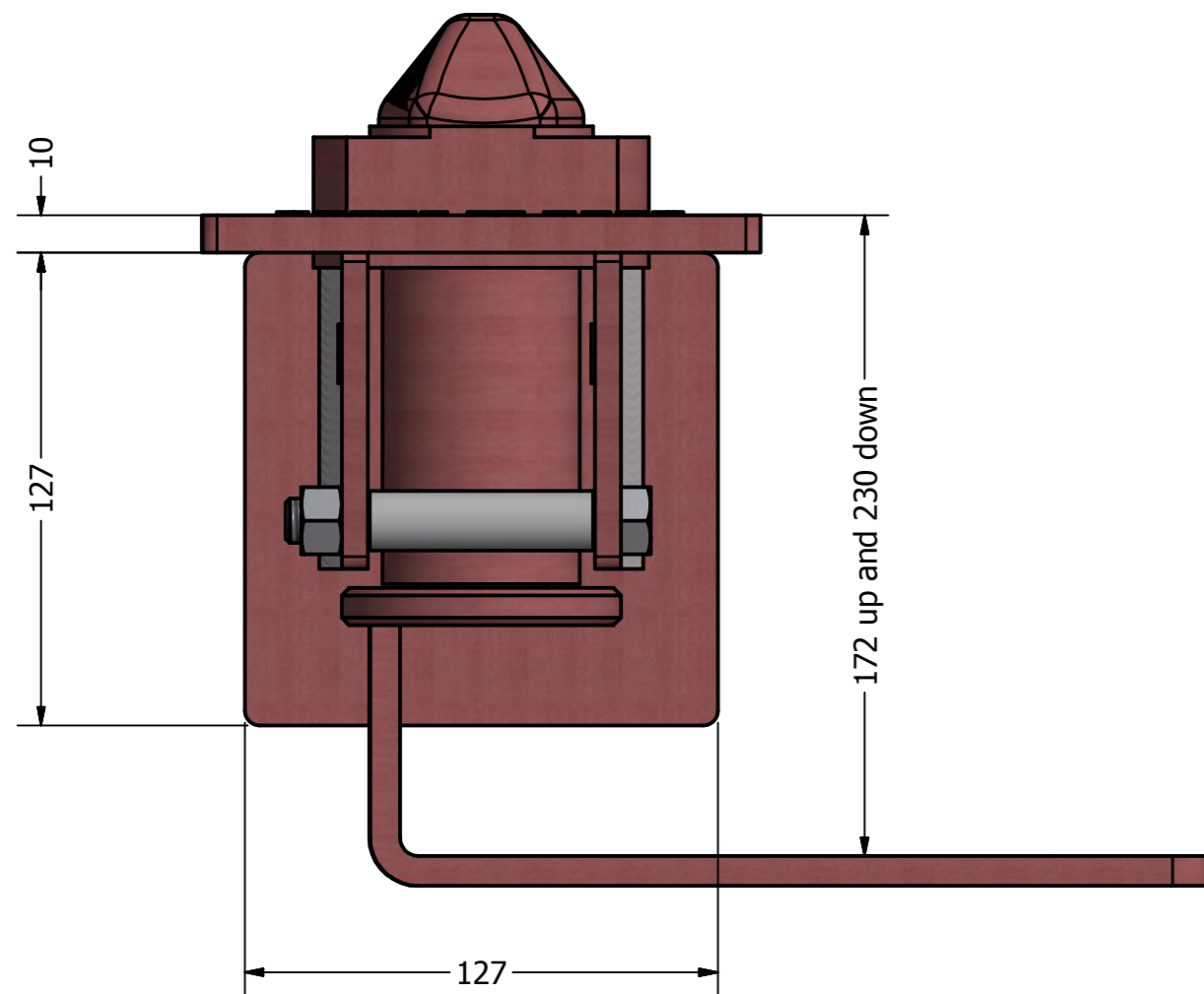


UP AND OPEN

UP AND CLOSED



DOWN



Australia: [sales@containerhoardings.com.au](mailto:sales@containerhoardings.com.au)  
 South Africa: [sales@twistlocks.co.za](mailto:sales@twistlocks.co.za)

DRAWN	4/12/2012	CONTAINER HOARDINGS		
User		TITLE		
CHECKED		TRUCK AND TRAILER TWIST LOCK		
QA		Long Handle		
MFG		SIZE	DWG NO	REV
APPROVED		A2	Part Number CHTTL-LH	01
		SCALE	SHEET 1 OF 1	